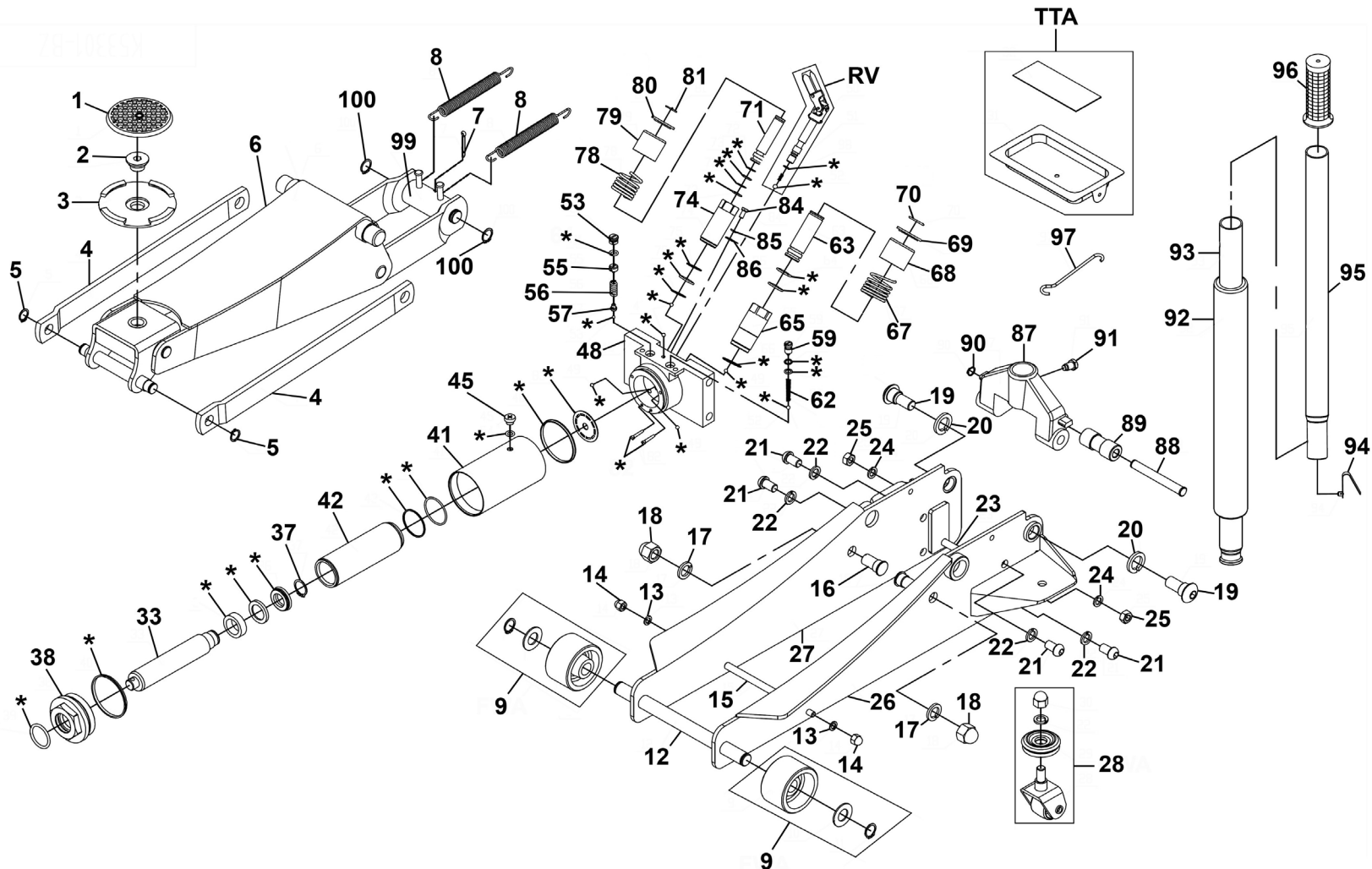




Parts Information:  
Trolley Jack 3 Tonne Rocket Lift  
Model No: 3040AR.V1, 3040AB.V2, 3040AG.V3, 3040AO.V3, 3040AY.V3



**NOTE:** It is our policy to continually improve products and as such we reserve the right to alter data, specifications and component parts without prior notice.

There may be alternative versions of this product, please contact us should you require this information.

**IMPORTANT:** No liability is accepted for incorrect use of product. Spare parts must be fitted by a competent person

**WARRANTY:** Guarantee is 12 months from purchase date, proof of which will be required for any claim.

Sealey Group, Kempson Way, Suffolk Business Park, Bury St Edmunds, Suffolk. IP32 7AR



01284 757500



sales@sealey.co.uk



www.sealey.co.uk



Parts Information:  
**Trolley Jack 3 Tonne Rocket Lift**  
**Model No: 3040AR.V1, 3040AB.V2,**  
**3040AG.V3, 3040AO.V3, 3040AY.V3**

Item	Part No.	Description	Qty
1	JP17	Safety Rubber Jack Pad - Type B	1
2	4040A.02	Saddle Pin	1
3	4040A.03	Saddle, White Serrated (F) Ø 109mm	1
4	4040A.04	Radius Link	2
5	SQ0027	External Circlip 16.0mm ID.	2
6	3040AB.06	Lifting Arm Assembly 'Black' (3040AB series only)	1
6	3040AG.06	Lifting Arm Assembly 'Green' (3040AG series only)	1
6	3040AO.06	Lifting Arm Assembly 'Orange' (3040AO series only)	1
6	3040AR.06	Lifting Arm Assembly 'Red' (3040AR series only)	1
6	3040AY.06	Lifting Arm Assembly 'Yellow' (3040AY series only)	1
7	SQ0039	Cotter Pin	1
8	3001CXP.09	Return Spring	2
9	3040AB.09	Wheel, Front, Fixed, Black, w/Fixings (D: 72 W: 46 B: 18) (3040AB series only)	2
9	3040AG.09	Wheel, Front, Fixed, Green, w/Fixings (D: 72 W: 46 B: 18) (3040AG series only)	2
9	3040AO.09	Wheel, Front, Fixed, Orange, w/Fixings (D: 72 W: 46 B: 18) (3040AO series only)	2
9	3040AR.09	Wheel, Front Fixed, Red, w/Fixings (D: 72 W: 46 B:18) (3040AR series only)	2
9	3040AY.09	Wheel, Front, Fixed, Yellow, w/Fixings (D: 72 W: 46 B: 18) (3040AY series only)	2
12	3040A.12	Front Axle	1
13	SWM8.S	Spring Washer M8 Zinc	2
14	SN8.SD	Steel Nut M8 Domed Zinc	2
15	3040A.15	Frame Rod	1
16	SQ0089	Radius Link Stud	2
17	SWM16.S	Spring Washer M16 Zinc	2
18	SN16.SD	Steel Nut M16 Domed Zinc	2
19	SQ0431	Handle Sleeve Bolt	2
20	SWM20.S	Spring Washer M20 Zinc	2
21	4040A.20	Button Head Socket Screw M12	4
22	SWM12.S	Spring Washer M12 Zinc	6
23	SQ0135	Frame Tie Rod	1
24	SWM10.S	Spring Washer M10 Zinc	2
25	SN10.S	Steel Nut M10 Zinc	2

Item	Part No.	Description	Qty
26	3040A.21	Side Frame, Left	1
27	3040A.22	Side Frame, Right	1
28	4040AB.26	Wheel, Swivel Castor, Black, w/Fixings (D: 42 W: 30 B: 16 H: 104) (3040AB series only)	2
28	4040AG.26	Wheel, Swivel Castor, Green, w/ Fixings (D:43 W:28 H:90) (3040AG series only)	2
28	4040AO.26	Wheel, Swivel Castor, Orange, w/ Fixings (D: 44 W:28 B: 8 H: 102) (3040AO series only)	2
28	4040AR.26	Wheel, Swivel Castor, Red (D:42 W:28 B:8 H:100) c/w bearing (3040AR only)	2
28	4040AY.26	Wheel, Swivel Castor, Yellow, w/ Fixings (D:43 W:28 H:94) (3040AY series only)	2
33	3040A.33	Ram Plunger Assembly	1
37	SQ0405	External Circlip	1
38	SQ0098	Top Nut	1
41	3040A.41	Reservoir	1
42	3040A.42	Cylinder	1
45	3001CXP.49	Oil Filler Plug Screw	1
48	SQ0433	Base	1
53	SQ0426	Guard Screw	1
55	SQ0427	Safety Valve Screw	1
56	SQ0428	Safety Valve Spring	1
57	SQ0429	Ball Seat Valve	1
59	SQ0384	Valve Screw	1
62	2500LE.V3-62	Taper Spring Dia 8.4mm	1
63	4040TB.73	Pump Piston (B)	1
65	4040A.62	Pump Cylinder (Large)	1
67	2500LE.V3-67	Pump Core Spring (B) Dia 37.4mm	1
68	2500LE.V3-68	Spring Sleeve (B)	1
69	2500LE.V3-69	Spring Stop Plate (B)	1
70	2500LE.V3-70	Spring Stop Plate Ring (B)	1
71	2500LE.V3-71	Pump Piston (A)	1
74	2500LE.V3-74	Pump 'A'	1
78	2500LE.V3-78	Pump Core Spring (A) Dia 33.5mm	1
79	2500LE.V3-79	Spring Sleeve (A)	1
80	2500LE.V3-80	Spring Stop Plate (A)	1
81	4040A.78	Snap Ring	1
84	SS612.S	Hex Head Set Screw M6 X 12 Zinc	1
85	SWM6.S	Spring Washer M6 Zinc	1

**NOTE:** It is our policy to continually improve products and as such we reserve the right to alter data, specifications and component parts without prior notice. There may be alternative versions of this product, please contact us should you require this information.

**IMPORTANT:** No liability is accepted for incorrect use of product. Spare parts must be fitted by a competent person

**WARRANTY:** Guarantee is 12 months from purchase date, proof of which will be required for any claim.

Sealey Group, Kempson Way, Suffolk Business Park, Bury St Edmunds, Suffolk. IP32 7AR



01284 757500



sales@sealey.co.uk



www.sealey.co.uk



Parts Information:  
**Trolley Jack 3 Tonne Rocket Lift**  
**Model No: 3040AR.V1, 3040AB.V2,**  
**3040AG.V3, 3040AO.V3, 3040AY.V3**

Item	Part No.	Description	Qty
86	2500LE.V3-84	Flat Washer (26 × 17 × T3)	1
87	4040A.83N	Handle Socket	1
88	4040A.84	Handle Socket Pin	1
89	4040A.85	Handle Socket Roller	1
90	2500LE.V3-93	External Circlip 12.0mm ID.	1
91	4040A.87N	Handle Socket Bolt	1
92	2500LE.V3-100	Handle Sleeve	1
93	4040A.89N	Lower Handle (c/w Part 92)	1
94	2001LERE.V2-92	Handle Lock Button	1
95	4040A.91N	Upper Handle (c/w Part 93)	1

Item	Part No.	Description	Qty
96	2500LE.V3-98	Handle Grip	1
97	4040A.94N	Hook	1
99	SQ0432	Connection Rod	1
100	SQ0031	Snap Ring 19mm	2
RV	3040A-V3-RV	Release Valve Assembly	1
TTA	3040A-V3-TTA	Tool Tray Assembly	1
--	3040A-V3-RK	Repair Kit (all items marked '*')	1
--	3040A-V3-HU	Hydraulic Unit Complete (not shown)	1

**NOTE:** It is our policy to continually improve products and as such we reserve the right to alter data, specifications and component parts without prior notice. There may be alternative versions of this product, please contact us should you require this information.

**IMPORTANT:** No liability is accepted for incorrect use of product. Spare parts must be fitted by a competent person

**WARRANTY:** Guarantee is 12 months from purchase date, proof of which will be required for any claim.

**Sealey Group**, Kempson Way, Suffolk Business Park, Bury St Edmunds, Suffolk. IP32 7AR



01284 757500



sales@sealey.co.uk



www.sealey.co.uk